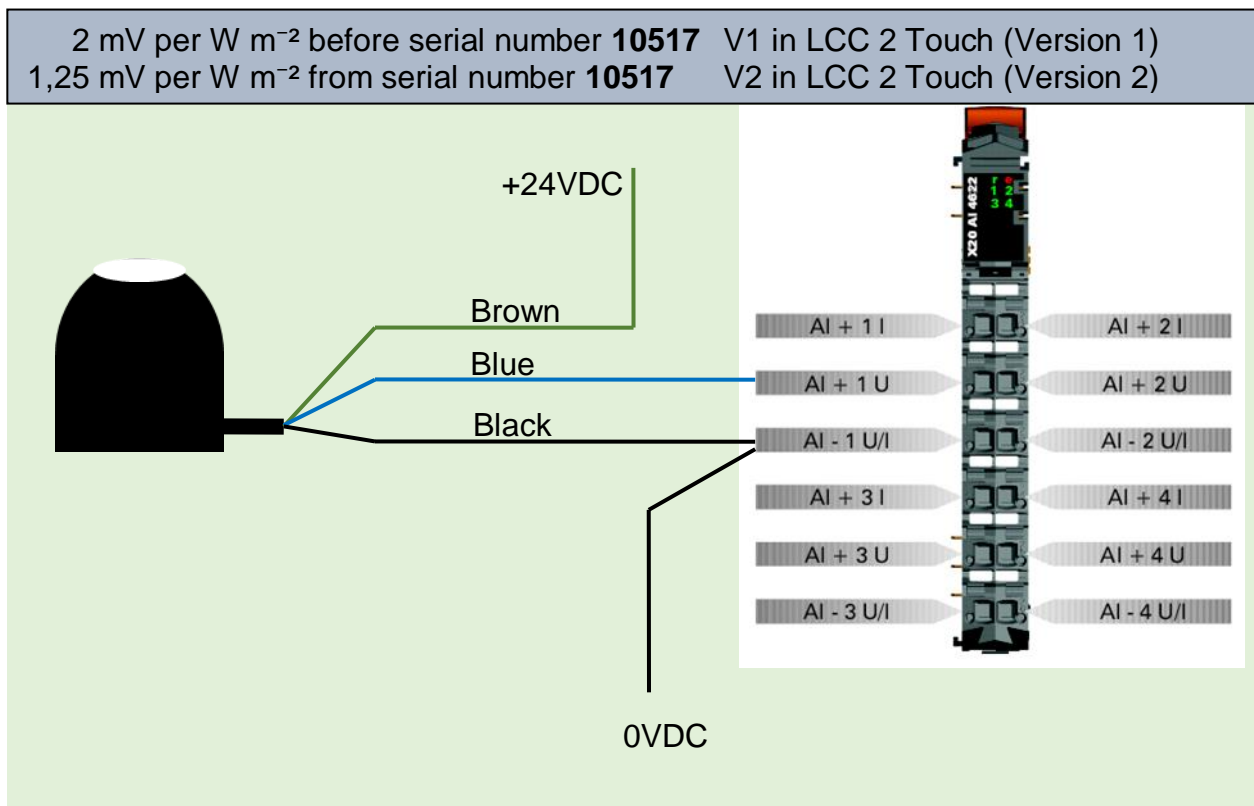


## LCC 2 Touch installation example, local solar cell.



This Solar Cell with 7 meters of cable has itemnumber **310414**